

www.hardcote.com.au

For All enquiries and further information please call

Free call: 1800 683 077

[email:info@hardcote.com.au](mailto:info@hardcote.com.au)

Head Office

11 Advance Road Kuluin QLD 4558

Phone: (07) 5479 6200 Fax: (07) 5479 6121



HARDCOTE AWININGS



- ➔ *Light Weight*
- ➔ *One Man Installation*
- ➔ *Cost Effective*



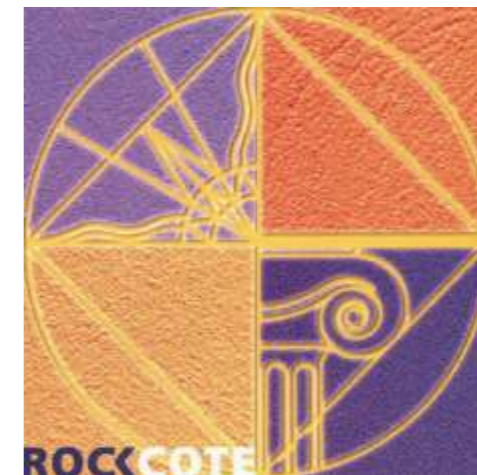
Hardcote Awnings come pre-made straight from the factory.

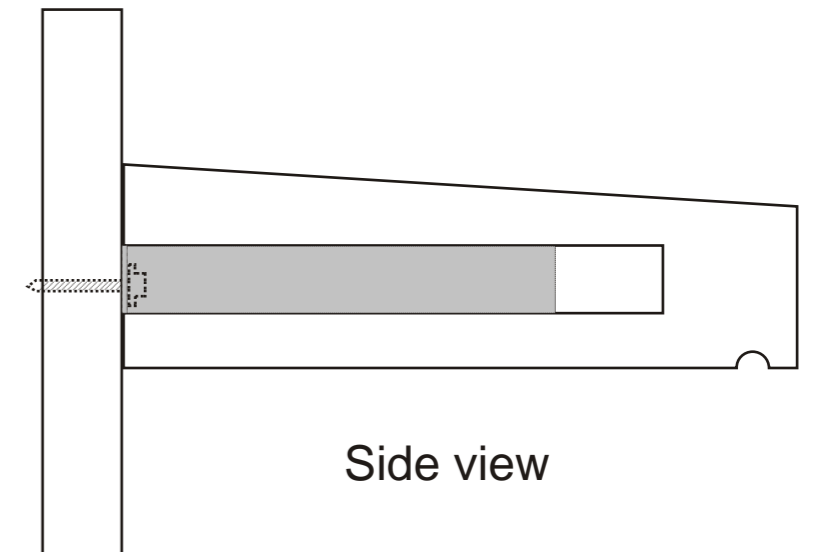
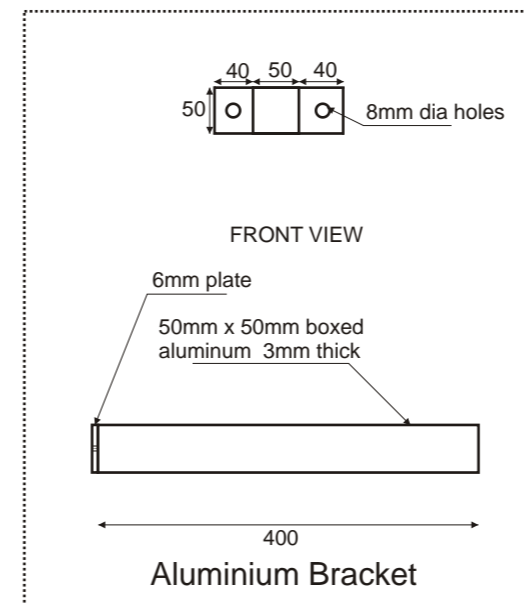
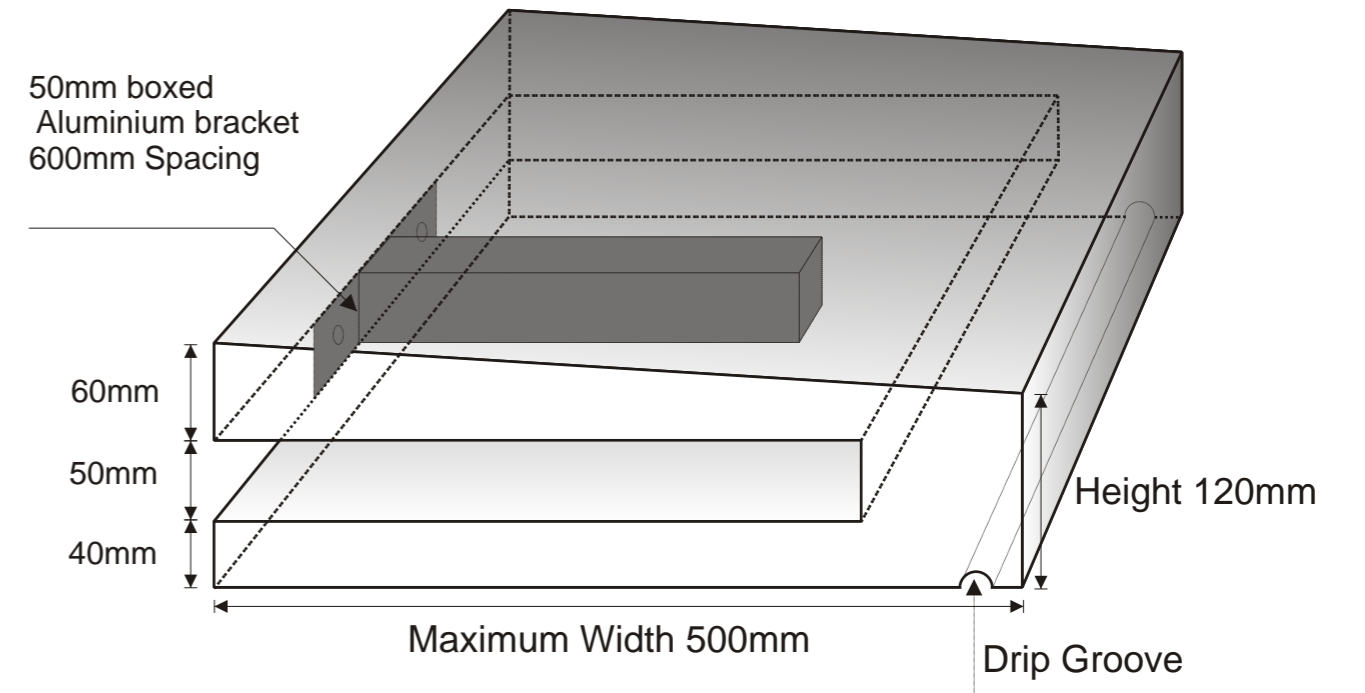
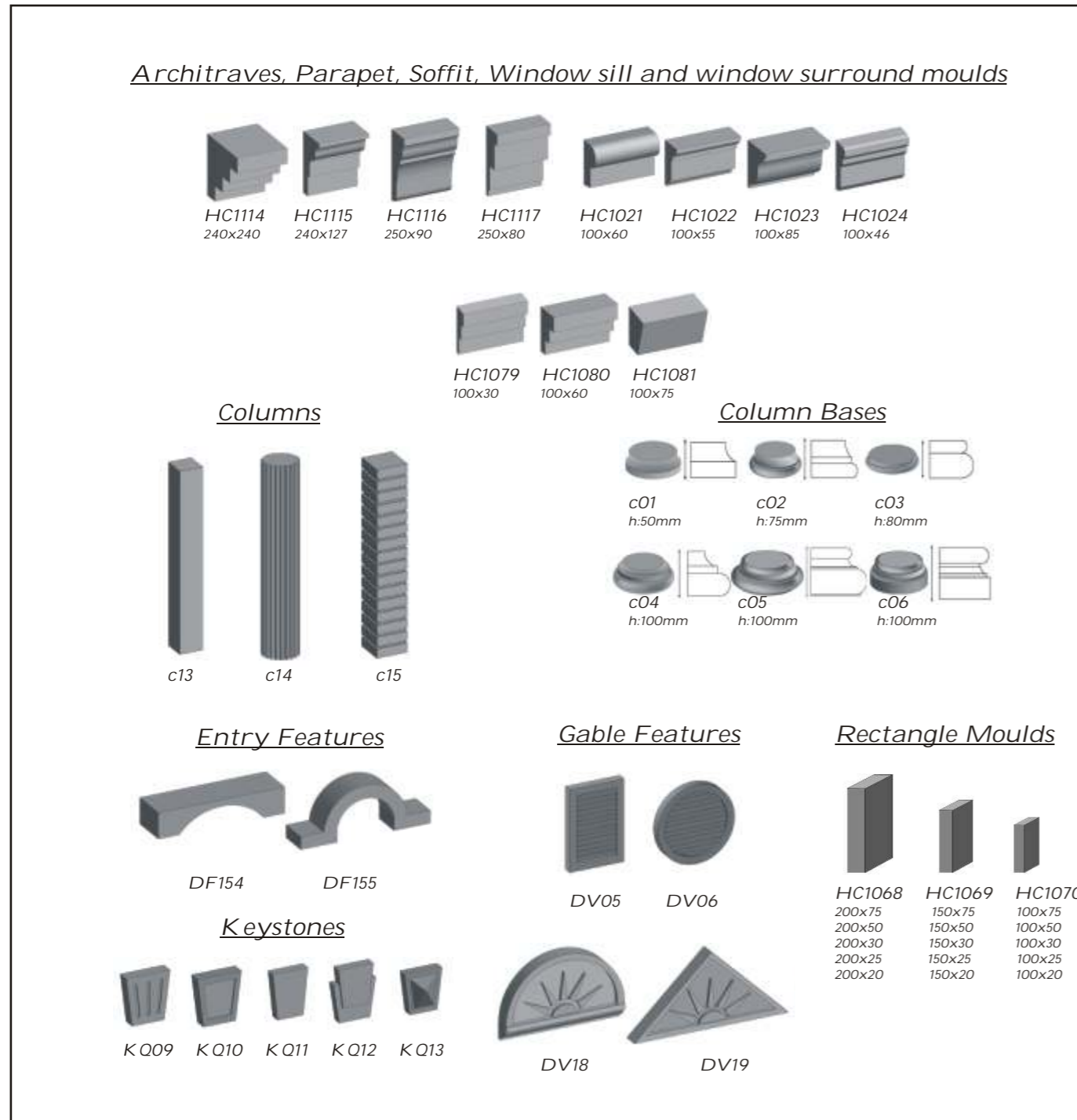


HARDCOTE FAQ'S

1. What are Hardcote moulds made from?
Hardcote mouldings are made from a H-Grade Eps Polystyrene which is shaped then coated with a polyurethane.
2. Do custom shaped moulds attract a larger cost?
No! Our moulds are accurately cut with a CNC (computer numerically controlled) machine from a solid block of polystyrene. Changing the shape, size or even creating a whole new mould is easily done with our cad software.
3. Do I need a special paint to finish the moulds?
Hardcote recommends to use an etch primer before painting. Once the etch primer has been properly applied than you can apply any finish to your desire.
4. Will acrylic render stick to Hardcote moulds?
Yes! Once you have given the moulds a light sanding, Hardcote recommends to use the product Textprime, available from Rockcote, before applying any Rockcote textured finish.

When Using Hardcote Mouldings we Recommend using these brands





Quick Awning installation instructions

1. Mark out where the brackets are going to be located
2. Fix aluminum brackets (600 centres) to wall using Dyna bolts or roofing screws
3. Place pre-made HARDCOTE Awning onto brackets
4. Seal off the entire perimeter of mould with sikaflex HP-Pro to give a water tight seal and seal any joints with West Epoxy Resin.

For Hardcote's full range catalog
please visit

www.hardcote.com.au

Modern



Customized Hardcote Mouldings are perfect for keeping up with moving trends and styles



Installation



Installing Hardcote mouldings can be a one man job saving you money on installation. All you need are a few handy man skills.



Basic Installation instructions

1. Mark out where your mouldings are going. Cut any mitres or moulds to length using a hand saw or drop saw.
2. Place a small amount of "Bostik® Zero Nails" at 400mm centre on back of mould.
3. Gently push the mould on to the wall ensuring good contact with glue and surface.
4. Remove the mould from surface and allow glue to dry 5-10 minutes then place the mould back on to the surface.
5. Seal the Entire perimeter of the mould using Sika® Flex HP-Pro.
6. Finish off any mitres and joints with the West® Epoxy system.

Renovations



Hardcote mouldings are ideal for renovations.

Adding value and style to your project is quick and efficient

Just take a look at these before and after shots



Custom Moulds



Greek



Italian

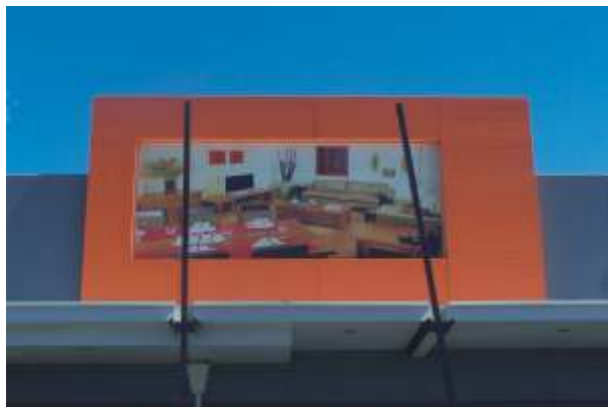


French



Commercial and industrial

Factories and warehouses



Shop fronts and theming

Sign's and Logo's



Make your business stand out with a 3 Dimensional sign and logo. Here are just a few examples!

